

Implement crane to BIG-BAG

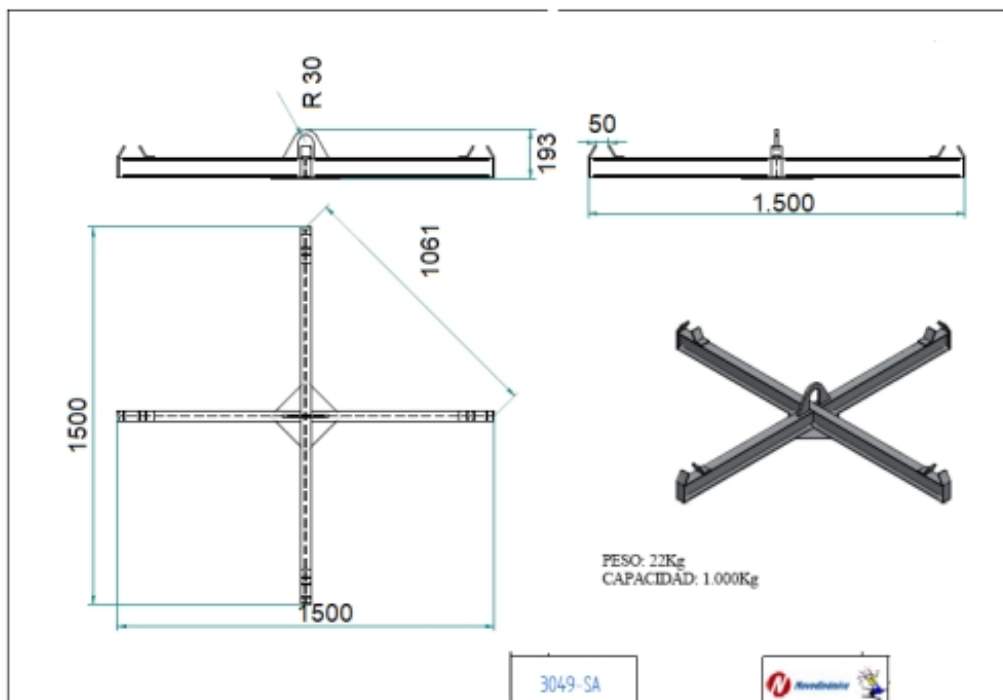


Description

Implement crane to catch BIG-BAG on their respective retention clips. Made of highly resistant steel profiled. Load capacity 1,000 kg Dimensions 1.500 x 1.500 x 193 mm. Weight 22 Kg.

Technical data

Reference	3049-SA
Dimensions (L x W x H)	1.500 x 1.500 x 193 mm.
Load kg.	1000
Weight Kg	22



Implement crane to BIG-BAG

