

# Hoop Parker. 6 bikes.



## Description

Best selling bicycle stand, solid and beautifully shaped. Proven a thousandfold.

Space-saving bicycle parking thanks to alternating low and high hoop positions, distance between hoops 350mm.

Robust steel construction

Multiple parkers can be connected and anchored in the ground.

Also suitable for mountain bike. Hoop spacing for bicycle with tyre widths of up to 55mm.

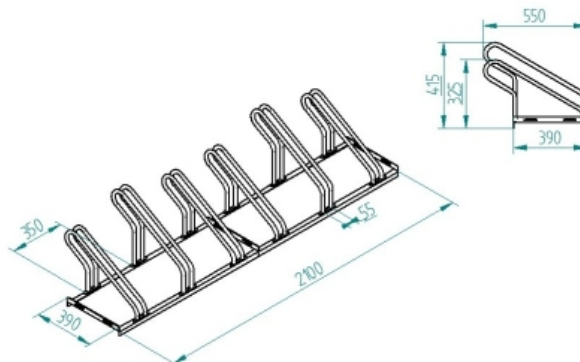
Supplied dismantled in boxes

Robust bolted tubular hoops.

Corrosion-proof thanks to hot galvanising

## Technical data

Reference	13069
-----------	-------



## Hoop Parker. 6 bikes.

