

Slim electric lift table 2.000 Kg with ramp

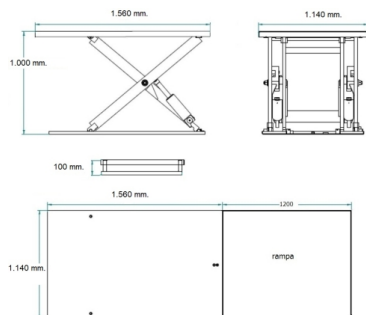


Description

Electric scissor lift table 2.000 kg. Adjustable height to achieve a comfortable working position in all situations, assembly stations, control stations, as palletizing, machine output, etc.. Controlled by a pendant with emergency stop and safety frame to stop the descent if an obstruction. Gentle movements. Rectangular steel structure to ensure the stability and strength of the table. Safety bar. Motor with IP54 protection. Adjustable valve. Detachable shafts. Stabilizing rollers. Supply voltage 380V. CE Marked. Made to order, please contact us.

Technical data

Reference	10163
Dimensions mm base (length x width)	1.560 x 1.140
Total lift	1.000 mm.
Folded height	100 mm.
Lifting time	25 sg
Motor Kw	1.5
Load	2.000 Kg
Weight Kg	400



Slim electric lift table 2.000 Kg with ramp

