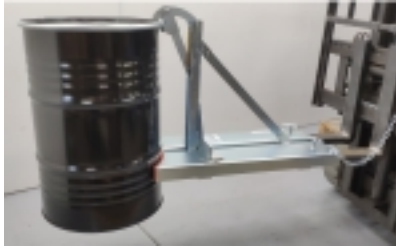


# ATEX forklift Implement for one drum

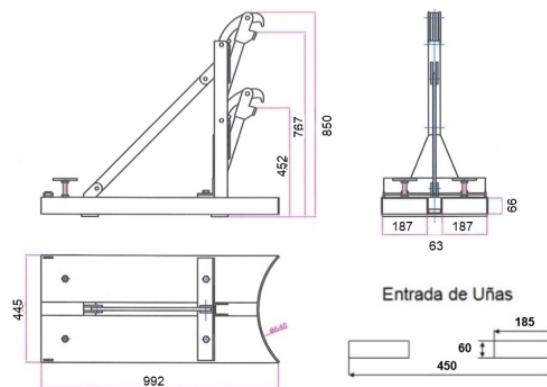
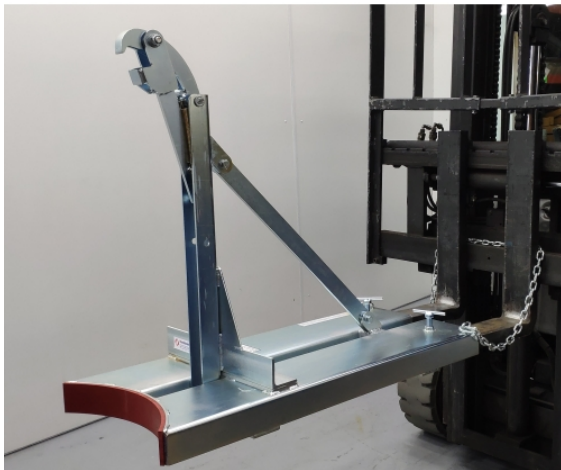


## Description

ATEX grip for transport, clamping or lifting to 1 drum 50-200 liters and not exceeding 500 kg, easy and safe since it has a special clamping claw. It has a clip fastening height adjustable to accommodate different sizes of drums. Very robust structure made for the use of profiled steel trucks. CE/EX Marked.

## Technical data

Reference	10176-EX
Dimensions (mm) length x width x height	940 x 600 x 1.000 (1 Bidón)
Weight Kg	100
Load	500
Drum	200 y 50



## ATEX forklift Implement for one drum

