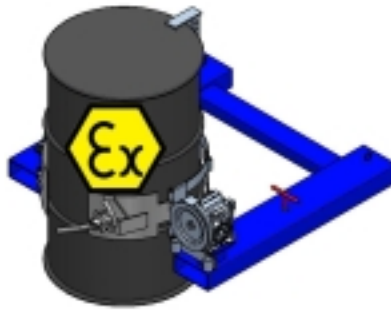


# ATEX implement turning drum with chain



## Description

ATEX drum turner to forklift is very useful for tasks such as handling, transport and emptying both embossed metal drums 200 liter is optional flipping plastic drums (indicate) that does not exceed 400 kg Easy and safe handling since it has a system dump via chain. The drum can rotate up to 360 degrees. Very robust frame made of profiled steel and consisting of basic frame for insertion of the nails of the truck. Handle and retaining chain to ensure a good mooring to nail the truck. CE Marked. Made to order, please contact us.

## Technical data

<b>Reference</b>	3048-ATEX
<b>Dimensions (mm) length x width x height</b>	
<b>Weight Kg</b>	
<b>Load</b>	
<b>Drum</b>	



# ATEX implement turning drum with chain

