

Base 2 pallets

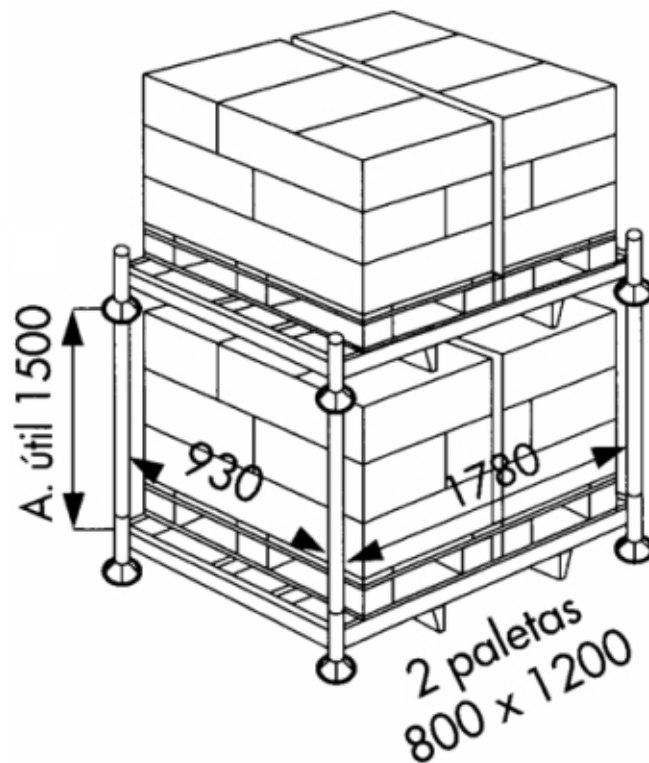


Description

A perfect base for removable shelf for storing a pallet up 800x1.200 designed to mount and unmount your own store very quickly because the different bases can be stacked up to 4 rows each. Fully removable shelf, easy to handle and move. Maximum load 2.200kg.

Technical data

Reference	5082
Dimensions (mm) (L x W x H)	2.030 x 1.180 x 250
Swivel wheels	
Tyre	
Weight Kg	50
Load Kg	2.200



Base 2 pallets

