

Base 1 pallet

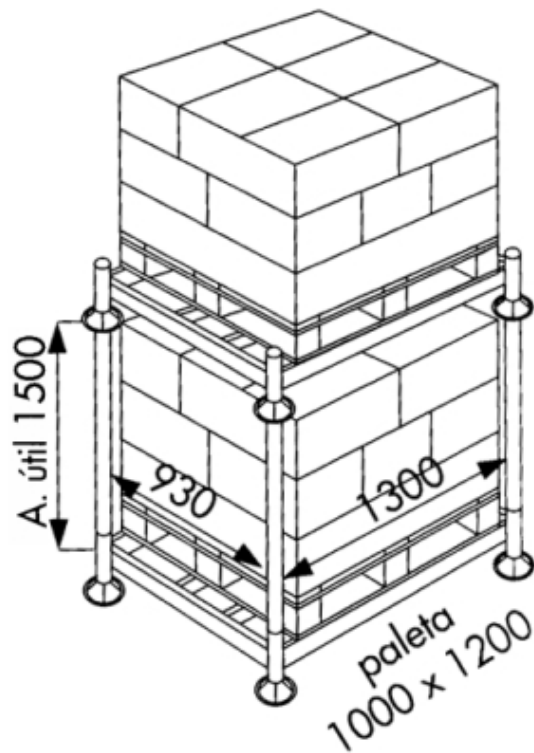


Description

A perfect base for removable shelf for storing a pallet up 1.000x1.200 designed to mount and unmount your own store very quickly because the different bases can be stacked up to 4 rows each. Fully removable shelf, easy to handle and move. Maximum load 2.200kg.

Technical data

Reference	5081
Dimensions (mm) (L x W x H)	1.550 x 1.180 x 250
Swivel wheels	
Tyre	
Weight Kg	40
Load Kg	2.200



Base 1 pallet

