

# Implement crane to BIG-BAG

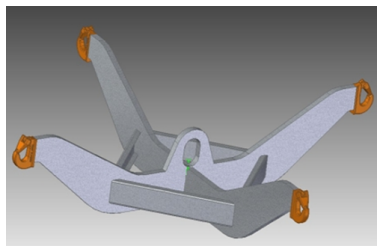


## Description

Implement crane to catch BIG-BAG on their respective retention clips. Made of highly resistant steel profiled.

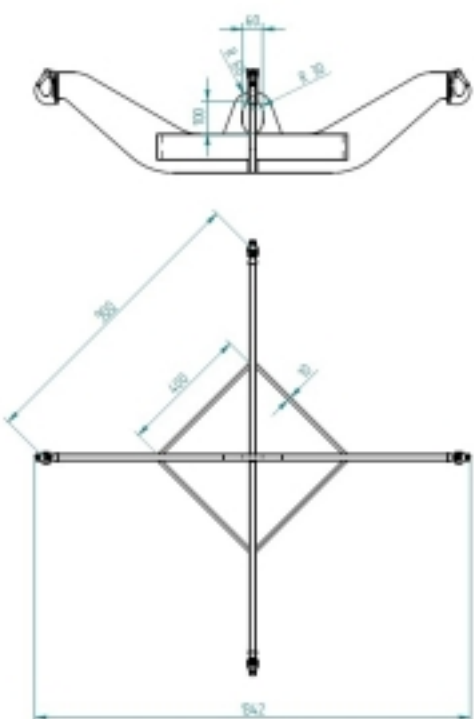
## Technical data

<b>Reference</b>	3049-SD
<b>Dimensions ( L x W x H )</b>	1342 x 1342 x 310 mm.
<b>Load kg.</b>	2.000 kg.
<b>Weight Kg</b>	28




# Implement crane to BIG-BAG

DIMENSIONES (mm)		
DESCRIPCIÓN	VALOR	TOLERANCIA
Ø BARRA	25	±0,1
Ø BARRA	25	±0,1
Ø BARRA	25	±0,1

C.M.T. (TON)	PRINCIPALES DIMENSIONES EN (MM.)						
	A	B	C	D	E	F	G
2,00	84	80	26	24	20	34	7

REF.	DESCRIPCIÓN	UNIDAD	CANTIDAD	NOTAS
3049-SD	Referencia Plano:			