

# Basket with shelves



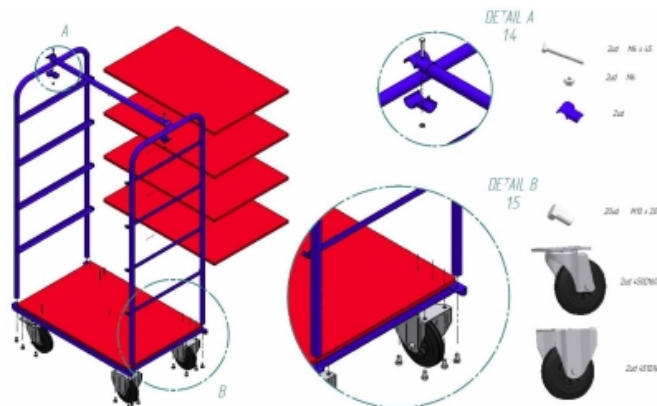
## Description

Shelf trolley for 5 heights (60Kg/shelf) open on all four sides, built in tube and profile welded steel. Fibreboard of wood per shelf capacity of 60 Kg and 350 Kg at the base, rubber wheels, 2 fixed and 2 swivel with brake. Distance between shelves 285mm.

SUPPLIED MOUNTED

## Technical data

Reference	4018
Dimensions (mm) L x W x H	900x600x1.720
Fixed wheels	Ø 150
Swivel wheels	Ø 150 with brake
Tire	Rubber
Weight Kg	52
Load Kg	600 (60Kg/shelf)



## Basket with shelves

