

# Manual stacker 1.000Kg to 1.600 mm INOX



## Description

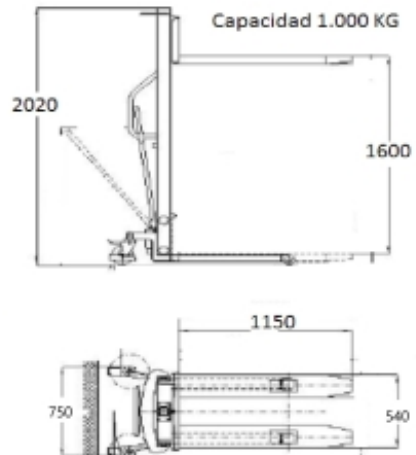
Stacker INOX manual lifting and translation, the most economical solution for lifting loads up to 1,000 kg  
Descent controlled loads. Suitable for areas with small / medium space. Safety grid. Overload safety valve.  
Brakes on wheels. Marked CE .

## Technical data

Reference	16000-I
Capacitance (Kg)	1.000
Elevation nails (mm)	1.600
Machine height (mm)	2.020
Mast height (mm)	2.020
Width (mm)	750
Total width (mm)	1.670
Nails measure (L x W ) (mm)	1.150 x 540 mm.
Weight (Kg)	185
Autonomy	Manual
Lifting stroke	30mm
Dimensions (LxWxH machine / rudder)	1.670 X 750 X 2.020

# Manual stacker 1.000Kg to 1.600 mm INOX

Apilador Manual en acero inoxidable AISI 304



## Manual stacker 1.000Kg to 1.600 mm INOX

